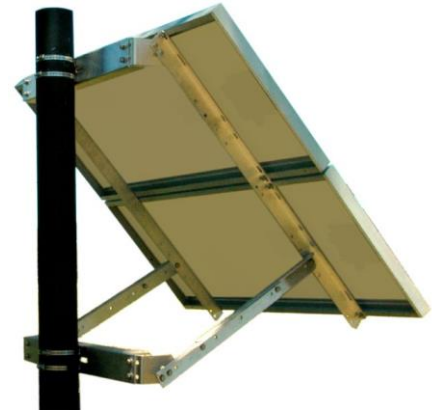




Solar Panel Mounts

Features

- Simple, Low Cost Design
- Flexible Side of Pole Mounting (to 4.5” dia. Pole)
- Heavy Duty Aluminum and Stainless Steel components for long life
- Easy to Install – Reduced Installation Time
- Quick tilt adjustment
- Certified for up to 110MPH Winds



Applications

- 5W to 325W Solar Panels
- Remote Power Systems

Description

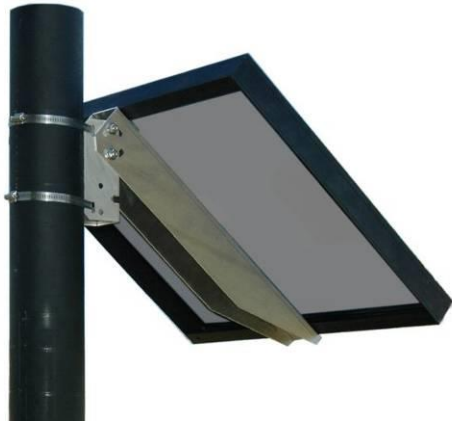
The TPSM series of solar panel mounts are designed to be used with Tycon® solar panels but are flexible in their design and can be used with other manufacturer’s solar panels. The low cost simple designs reduces installation costs, saving the installer precious install time. The construction is heavy duty aluminum with all stainless steel hardware for very long service life in the harshest conditions.



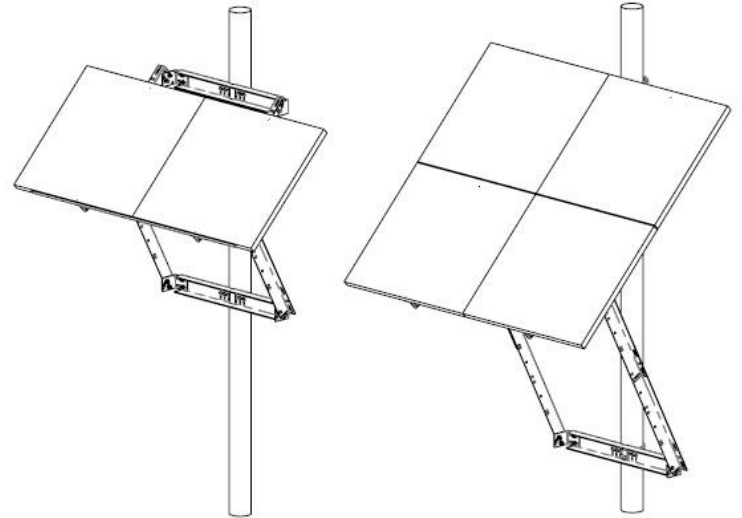
TPSM-5-10-SP

Specifications

	TPSM-5-10-SP	TPSM-10-15-SP	TPSM-30-80-SP	TPSM-80x4-UNI
Solar Panel Width	Up to 10”	10” to 14”	16” to 26”	Up to 54”
Typical Solar Panel Size	5W to 10W	10W to 15W	30W to 85W	120W to 360W
Solar Panel Mount Type	Edge Clip	Edge Clip	Edge Clip	Edge Clip
Pole Diameter	1” to 2”	1.6” to 4.5”	1.6” to 4.5”	2” to 4.5”
Pole Attach	U-Bolt	Stainless Steel Hose Clamp (5/16” driver)	Stainless Steel Hose Clamp (5/16” driver)	
Wind Speed Rating	90MPH	110MPH	110MPH	90MPH
Shipping Weight	0.26kg (0.6lb)	1.1kg (2.5lb)	1.6kg (3.5lb)	10.6kg (23.3lb)
Shipping Dimensions	108 x 89 x 32mm (4.25 x 3.5 x 1.25”)	381 x 102 x 102mm (15” x 4” x 4”)	686 x 102 x 102mm (27” x 4” x 4”)	1372 x 152 x 127mm (54” x 6” x 5”)
Tilt Adjustment	Fixed 40°	0° to 90°	0° to 90°	15° to 65°
Warranty	3 Years			



TPSM-10-15-SP
TPSM-30-80-SP



TPSM-80x4-UNI

System Ordering:

- TPSM-5-10-SP** Side of pole mount for one 5W to 10W solar panel
 - TPSM-10-15-SP** Side of pole mount for one 10W to 15W solar panel
 - TPSM-30-80-SP** Side of pole mount for one 30W to 80W solar panel
 - TPSM-80x4-UNI** Side of pole mount for one to two 120W–130W panels or two to four 80W Solar Panels.
- Universal solar panel edge clips.

For further information contact:

Tyconsystems.com

